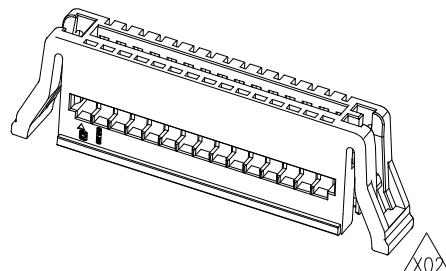
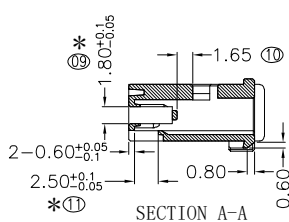
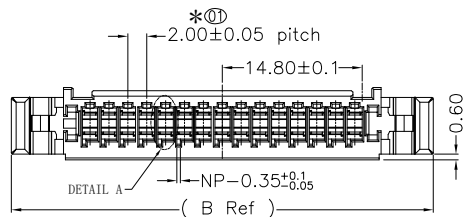


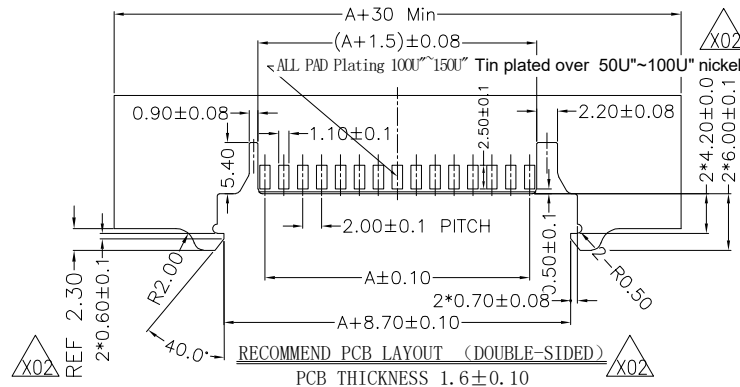
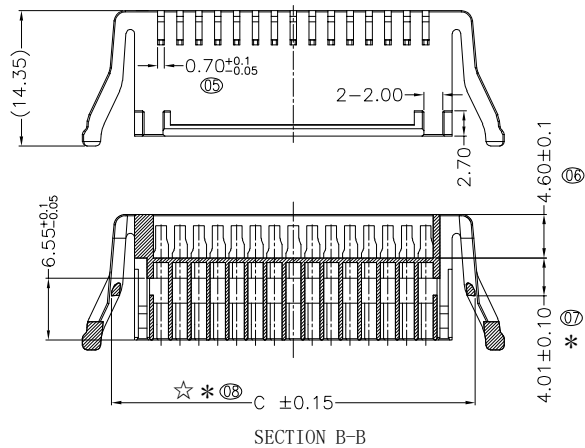
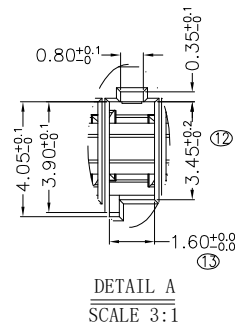
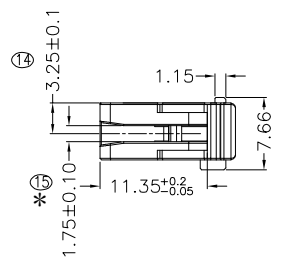
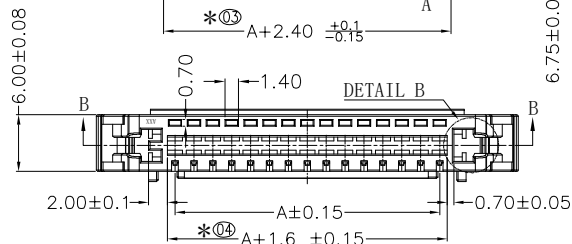
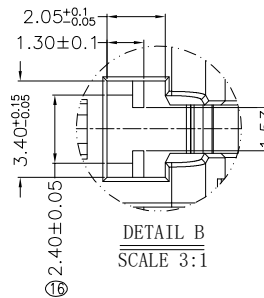
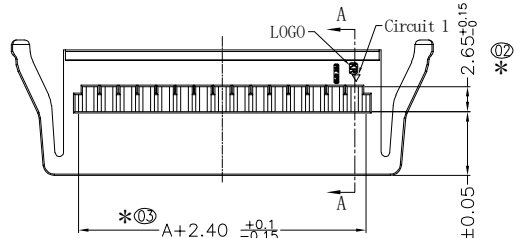
RoHS  
COMPLIANT



**SPECIFICATIONS**  
 1. Current Rating: 3A AC, DC  
 2. Voltage Rating: 125V AC, DC  
 3. Temperature Range: -40°C ~ +125°C  
 4. Insulation Resistance: 1000MΩ/ min.  
 5. Withstanding Voltage: 500V AC/ Minute.  
 6. Contact Resistance: 10mΩ/ max.  
 7. Those with "☆" are special feature dimensions  
 8. 8P AND ABOVE REQUIRE SEPARATE ASSEMBLY OF CPA-L AND CPA-R, CHOOSE ANY CPA-L OR CPA-R BELOW 8P  
 Material: PBT UL 94V-0  
 Suitable: KR2026 series Terminal  
 Ordering Code: H2026V xxx 24 01 A

No. of Circuits  
 102:2, 115:15

Insulator Material  
 24:PBT White V0



Circuits	Dimensions		
	A	B	C
2	2.00	18.26	12.00
3	4.00	20.26	14.00
4	6.00	22.26	16.00
5	8.00	24.26	18.00
6	10.00	26.26	20.00
7	12.00	28.26	22.00
8	14.00	30.26	24.00
9	16.00	32.26	26.00
10	18.00	34.26	28.00
11	20.00	36.26	30.00
12	22.00	38.26	32.00
13	24.00	40.26	34.00
14	26.00	42.26	36.00
15	28.00	44.26	38.00

MARK	REVISION DESCRIPTION	SIGNATURE	DATE
X03			
X02	ADD PCB PLATING INFORMATION	ZZN	2025. 5. 5
X01	NEW DWG	ZZN	2024. 10. 30

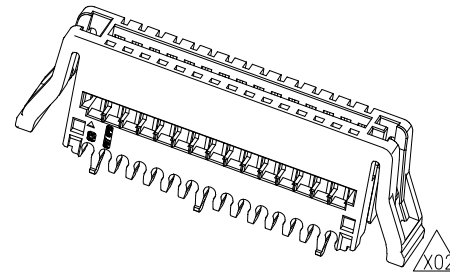
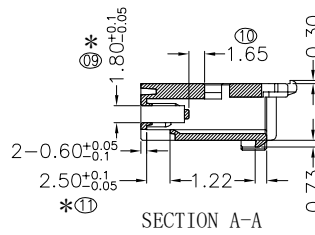
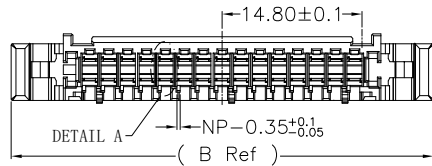
TOLERANCE  
 X.X ±0.30  
 X.XX ±0.20  
 X.XXX ±0.10  
 Angle ±2°

TITLE:  
 2.0mm Pitch 180°  
 夹板式 Housing  
 UNIT: mm SCALE: 1:1

DRAWN: ZZN 2025. 5. 5  
 CHECKED: ZZN 2025. 5. 5  
 APPROVED: LL 2025. 5. 5  
 SHEET: 1/1 PROJECTION

**KONNRA** 东莞市康瑞电子有限公司  
 DongGuan Konnra Electronics Co.,Ltd.  
 PART NO.: H2026V1XX2401A  
 REV.: X02 DRAWING NO.: 2026H101-A-S

RoHS COMPLIANT

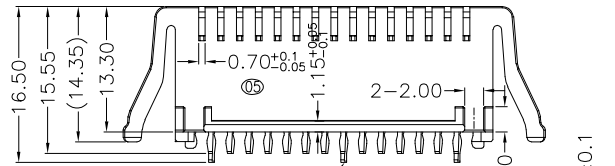
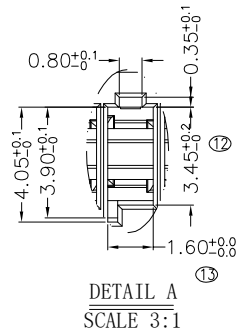
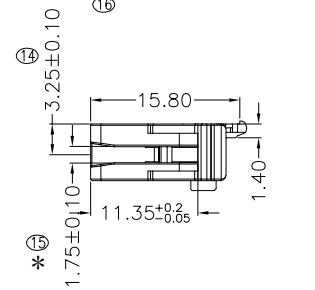
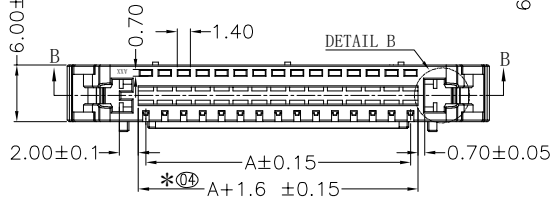
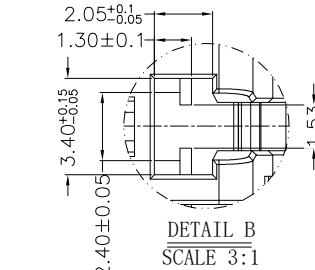
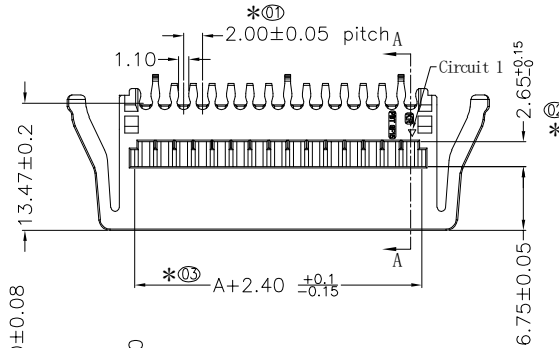


**SPECIFICATIONS**  
 1. Current Rating: 3A AC, DC  
 2. Voltage Rating: 125V AC, DC  
 3. Temperature Range: -40°C ~ +125°C  
 4. Insulation Resistance: 1000MΩ/ min.  
 5. Withstanding Voltage: 500V AC/ Minute.  
 6. Contact Resistance: 10mΩ/ max.  
 7. Those with "☆" are special feature dimensions  
 8. 8P AND ABOVE REQUIRE SEPARATE ASSEMBLY OF CPA-L AND CPA-R, CHOOSE ANY CPA-L OR CPA-R BELOW 8P

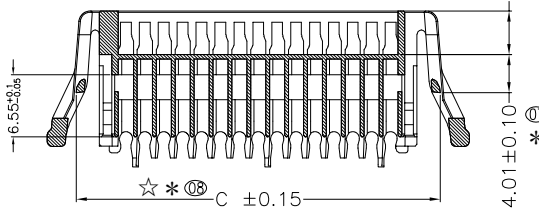
Material: PBT UL 94V-0  
 Suitable: KR2026 series Terminal  
 Ordering Code: H2026R xxx 24 01 A

No. of Circuits  
 102:2, 115:15

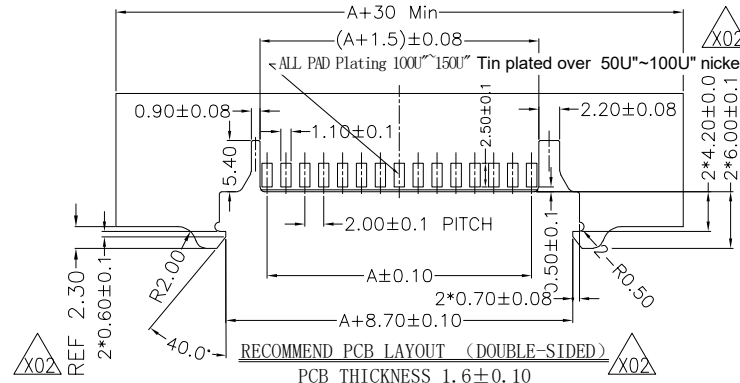
Insulator Material  
 24:PBT White V0



从7P开始, 中间有扣。



SECTION B-B



Circuits	Dimensions		
	A	B	C
2	2.00	18.26	12.00
3	4.00	20.26	14.00
4	6.00	22.26	16.00
5	8.00	24.26	18.00
6	10.00	26.26	20.00
7	12.00	28.26	22.00
8	14.00	30.26	24.00
9	16.00	32.26	26.00
10	18.00	34.26	28.00
11	20.00	36.26	30.00
12	22.00	38.26	32.00
13	24.00	40.26	34.00
14	26.00	42.26	36.00
15	28.00	44.26	38.00

MARK	REVISION DESCRIPTION	SIGNATURE	DATE
X03			
X02	ADD PCB PLATING INFORMATION	ZZN	2025. 5. 5
X01	NEW DWG	ZZN	2024. 10. 30

TOLERANCE  
 X.X ±0.30  
 X.XX ±0.20  
 X.XXX ±0.10  
 Angle ±2°

TITLE:  
 2.0mm Pitch 90° 夹板式 Housing

DRAWN: ZZN 2025. 5. 5

CHECKED: ZZN 2025. 5. 5

APPROVED: LL 2025. 5. 5

KONNRA 东莞市康瑞电子有限公司  
 DongGuan Konnra Electronics Co.,Ltd.

PART NO.: H2026R1XX2401A

UNIT: mm SCALE: 1:1

SHEET: 1/1 PROJECTION

REV.: X02 DRAWING NO.: 2026H102-A-S

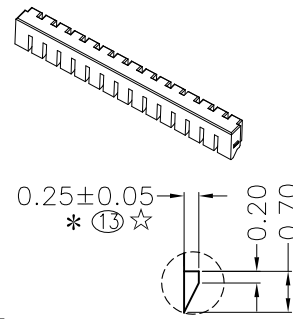
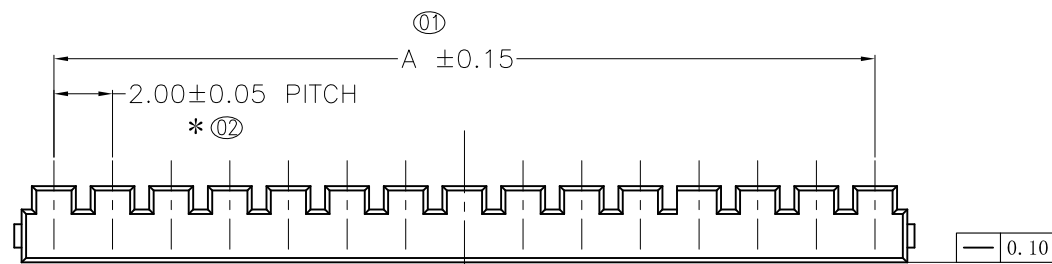
**RoHS**  
COMPLIANT

**SPECIFICATIONS**

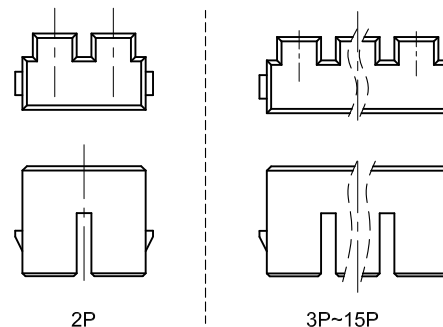
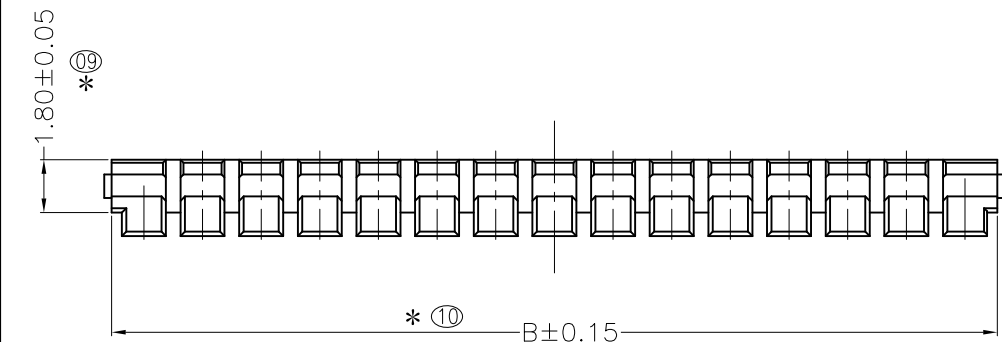
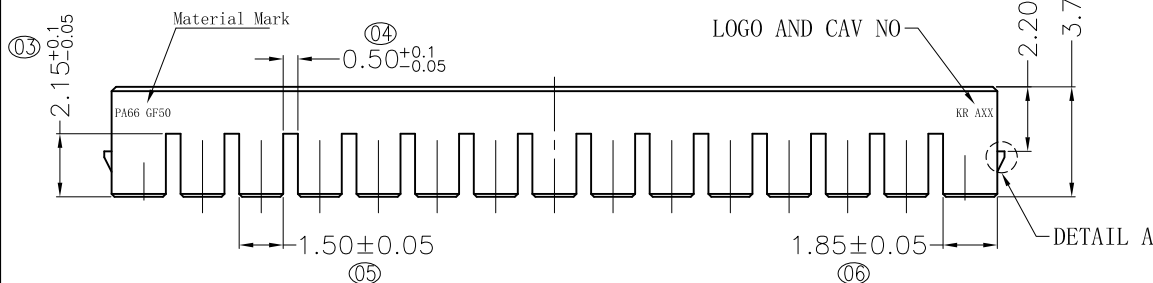
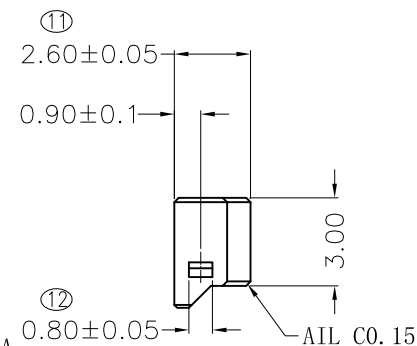
1. Current Rating: 3A AC, DC
  2. Voltage Rating: 125V AC, DC
  3. Temperature Range: -40°C ~ +125°C
  4. Insulation Resistance: 1000MΩ/ min.
  5. Withstanding Voltage: 500V AC/ Minute.
  6. Contact Resistance: 10mΩ/ max.
  7. Those with "☆" are special feature dimensions
- Material: PA66 UL 94V-0  
Suitable: KR2026 series Housing

Ordering Code: H20260 1\*\* 19 11A

No. of Circuits  
102:2, 115:15  
Insulator Material  
19:PA66 Gray V0



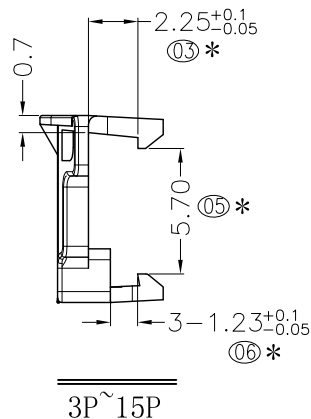
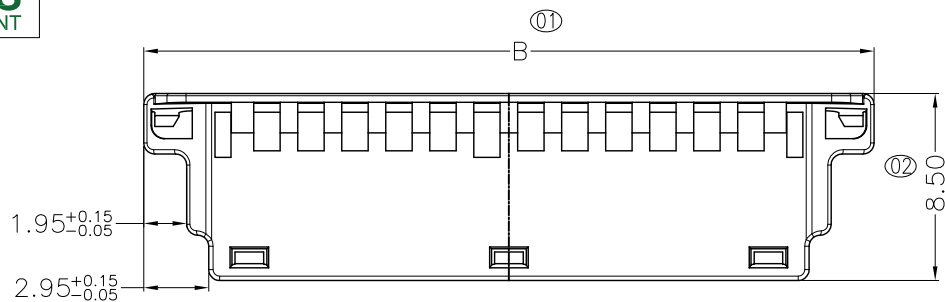
DETAIL A  
SCALE 2:1



Circuits	Dimensions	
	A	B
2	2.00	4.20
3	4.00	6.20
4	6.00	8.20
5	8.00	10.20
6	10.00	12.20
7	12.00	14.20
8	14.00	16.20
9	16.00	18.20
10	18.00	20.20
11	20.00	22.20
12	22.00	24.20
13	24.00	26.20
14	26.00	28.20
15	28.00	30.20

MARK	△X03			TOLERANCE	TITLE:	DRAWN: ZZN 2024.09.06	KONNRA 东莞市康瑞电子有限公司 DongGuan Konnra Electronics Co.,Ltd.			
	△X02			X.X ±0.30	2.0mm Pitch 夹板式	CHECKED: ZZN 2024.09.06				
	△X01	NEW DWG	ZZN	2024.09.06	X.XX ±0.20	TPA	APPROVED: ZZN 2024.09.06	PART NO.: H202601**1911A		
		REVISION DESCRIPTION	SIGNATURE	DATE	X.XXX ±0.10	UNIT:mm	SCALE:1:1	SHEET:1/1	PROJECTION	REV.:X01
				Angle ±2°						

**RoHS**  
COMPLIANT



**SPECIFICATIONS**

1. Current Rating: 3A AC, DC
2. Voltage Rating: 125V AC, DC
3. Temperature Range: -40°C ~ +125°C
4. Insulation Resistance: 1000MΩ/ min.
5. Withstanding Voltage: 500V AC/ Minute.
6. Contact Resistance: 10mΩ/ max.

dimensions

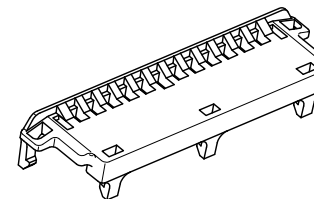
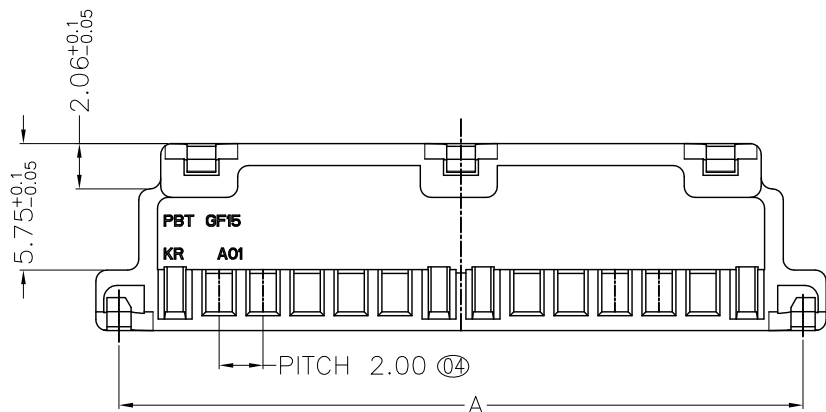
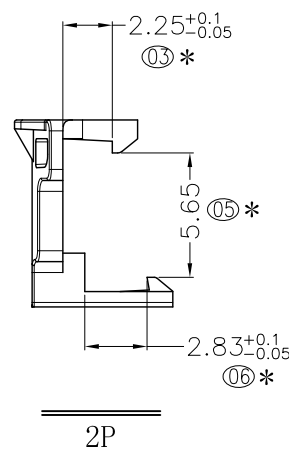
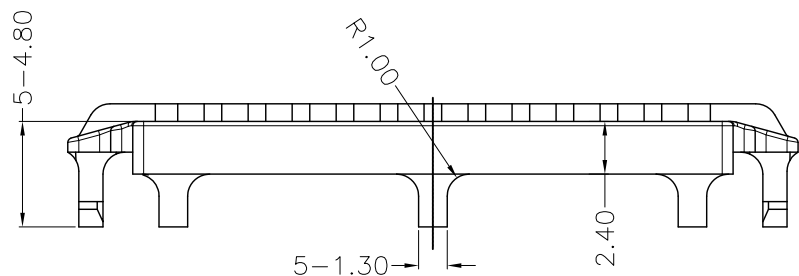
Material: PBT UL 94V-0

Suitable: KR2026 series 90° Housing

Ordering Code: H2026R 1\*\* 05 31A

No. of Circuits  
102:2, 115:15

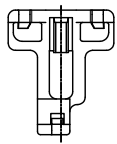
Insulator Material  
05:PBT White V0



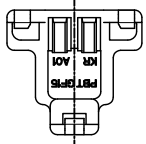
Circuits	Dimensions	
	B	A
2	7.20	5.10
3	9.20	7.10
4	11.20	9.10
5	13.20	11.10
6	15.20	13.10
7	17.20	15.10
8	19.20	17.10
9	21.20	19.10
10	23.20	21.10
11	25.20	23.10
12	27.20	25.10
13	29.20	27.10
14	31.20	29.10
15	33.20	31.10

F	△X03				TOLERANCE	TITLE:	DRAWN:	ZZN 2024. 09. 06	KONNRA 东莞市康瑞电子有限公司 DongGuan Konnra Electronics Co.,Ltd.		
	△X02				X.X ±0.30	2.0mm Pitch 90° 夹	CHECKED:	ZZN 2024. 09. 06			
	△X01	NEW DWG	ZZN	2024. 09. 06	X.XX ±0.20	板式Cover	APPROVED:	ZZN 2024. 09. 06	PART NO.: H2026R1**0531A		
	MARK	REVISION DESCRIPTION	SIGNATURE	DATE	X.XXX ±0.10	UNIT:mm	SCALE: 1:1	SHEET: 1/2	PROJECTION	REV.: X01	DRAWING NO.: 2026H104-A-S
					Angle ±2°						

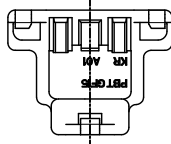
**RoHS**  
COMPLIANT



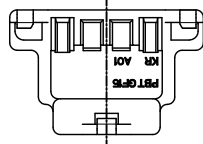
2P



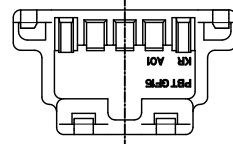
3P



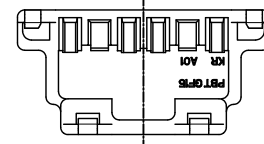
4P



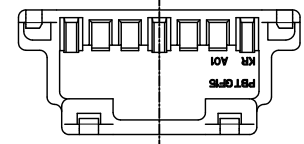
5P



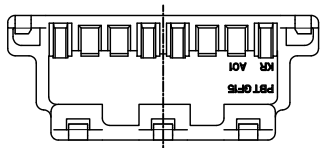
6P



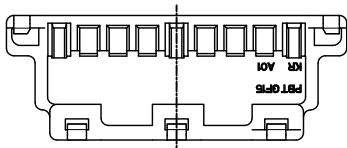
7P



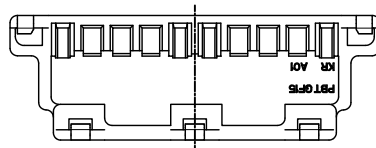
8P



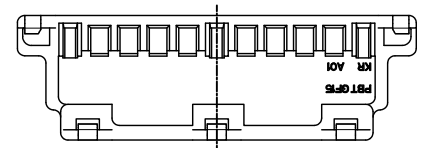
9P



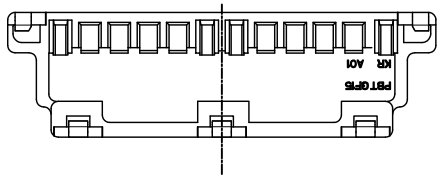
10P



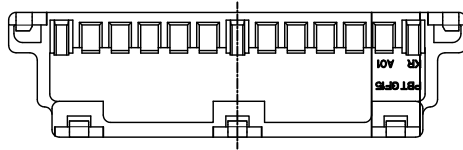
11P



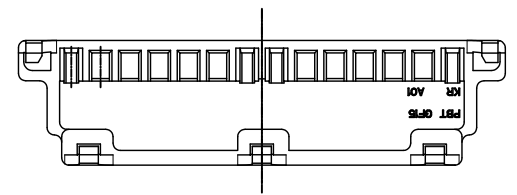
12P



13P



14P



15P



NEW DWG

ZZN

2024.09.06

TOLERANCE

X.X ±0.30  
X.XX ±0.20  
X.XXX ±0.10  
Angle ±2°

TITLE:

2.0mm Pitch 90° 夹  
板式 Cover

DRAWN: ZZN 2024.09.06

CHECKED: ZZN 2024.09.06

APPROVED: ZZN 2024.09.06

**KONNRA** 东莞市康瑞电子有限公司  
DongGuan Konnra Electronics Co.,Ltd.

PART NO.: H2026R1\*\*0531A

MARK

REVISION DESCRIPTION

SIGNATURE

DATE

UNIT: mm

SCALE: 1:1

SHEET: 2/2

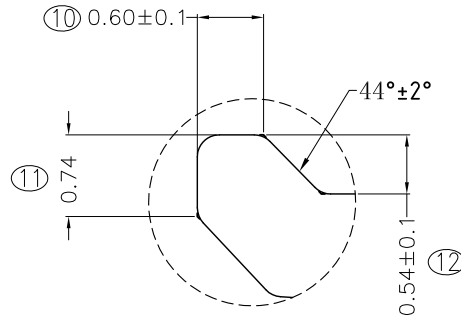
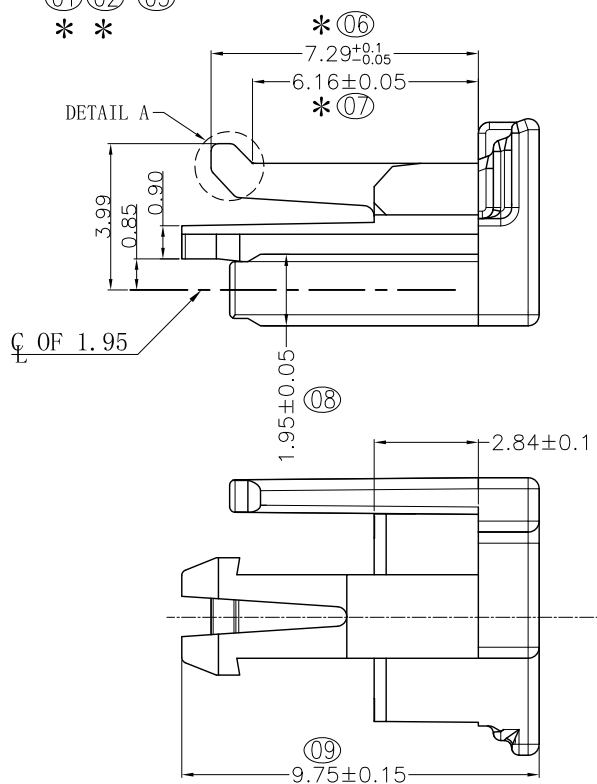
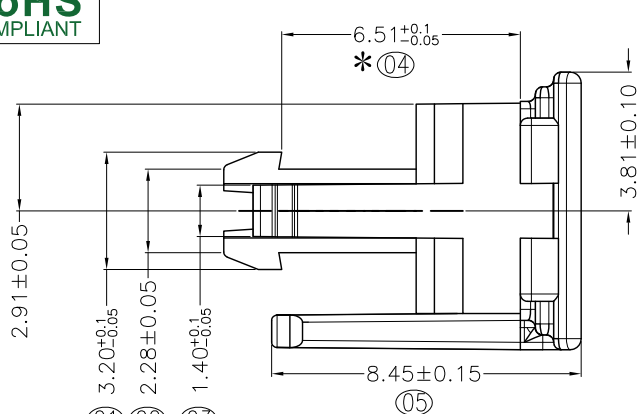
PROJECTION



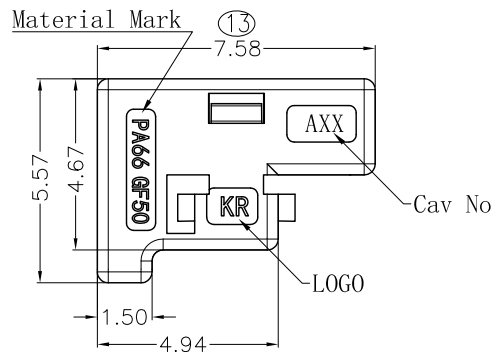
REV.: X01

DRAWING NO.: 2026H104-A-S

**RoHS**  
COMPLIANT



**DETAIL A**  
SCALE 3:1

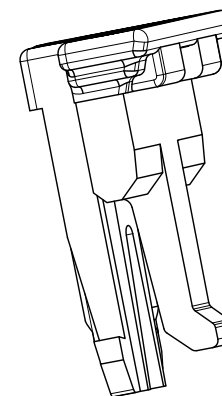


**SPECIFICATIONS**

1. Current Rating: 3A AC, DC
  2. Voltage Rating: 125V AC, DC
  3. Temperature Range: -40°C ~ +125°C
  4. Insulation Resistance: 1000MΩ/ min.
  5. Withstanding Voltage: 500V AC/ Minute.
  6. Contact Resistance: 10mΩ/ max.
- Material: PA66 UL 94V-0  
Suitable: KR2026 series Housing  
Ordering Code:

H20260100 xx 21A

Insulator Material  
02:PA66 5500-GF50NH (Black)



X03			
X02			
X01	NEW DWG	ZZN	2024.09.06
MARK	REVISION DESCRIPTION	SIGNATURE	DATE

TOLERANCE  
X.X ±0.30  
X.XX ±0.20  
X.XXX ±0.10  
Angle ±2°

TITLE:  
2.0mm Pitch 夹板式  
CPA-R

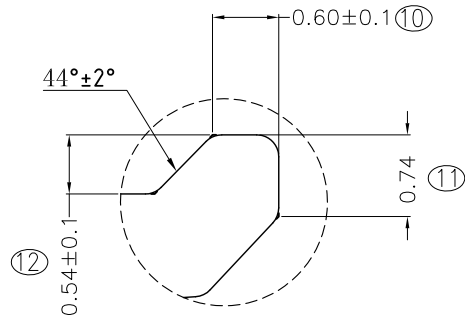
DRAWN: ZZN 2024.09.04  
CHECKED: ZZN 2024.09.04  
APPROVED: ZZN 2024.09.04

**KONNRA** 东莞市康瑞电子有限公司  
DongGuan Konnra Electronics Co.,Ltd.

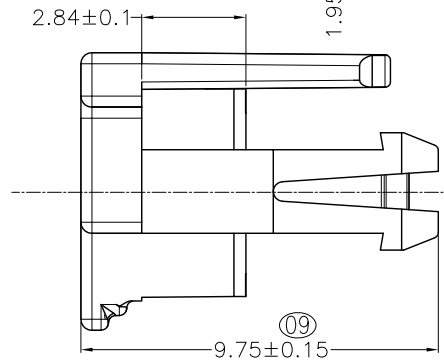
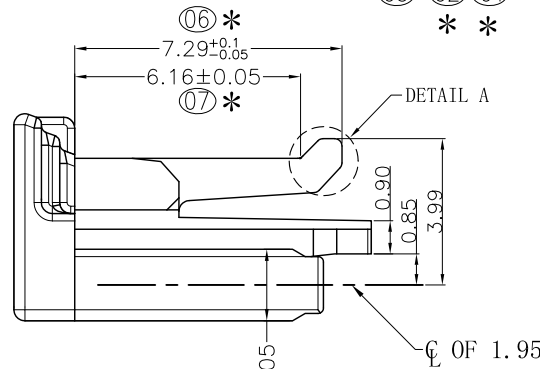
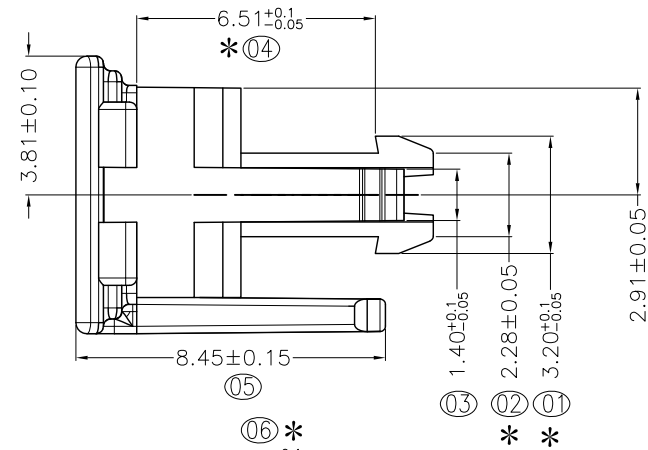
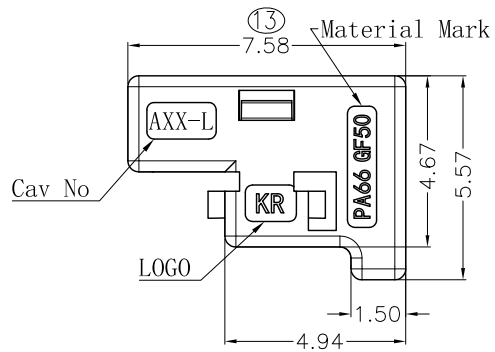
PART NO.:H202601000221A

UNIT:mm SCALE:1:1 SHEET:1/1 PROJECTION REV.:X01 DRAWING NO.:2026H109-A-S

**RoHS**  
COMPLIANT



**DETAIL A**  
SCALE 3:1



**SPECIFICATIONS**

1. Current Rating: 3A AC, DC
2. Voltage Rating: 125V AC, DC
3. Temperature Range: -40°C ~ +125°C
4. Insulation Resistance: 1000MΩ/ min.
5. Withstanding Voltage: 500V AC/ Minute.
6. Contact Resistance: 10mΩ/ max.

Material: PA66 UL 94V-0  
Suitable: KR2026 series Housing  
Ordering Code:

H20260100 xx 22A

Insulator Material  
02:PA66 5500-GF50NH (Black)

	NEW DWG	ZZN	2024.09.04

TOLERANCE  
X.X ±0.30  
X.XX ±0.20  
X.XXX ±0.10  
Angle ±2°

TITLE:  
2.0mm Pitch 夹板式  
CPA-L

DRAWN: ZZN 2024.09.04  
CHECKED: ZZN 2024.09.04  
APPROVED: ZZN 2024.09.04

**KONNRA** 东莞市康瑞电子有限公司  
DongGuan Konnra Electronics Co.,Ltd.  
PART NO.: H202601000222A

MARK	REVISION DESCRIPTION	SIGNATURE	DATE	UNIT:mm	SCALE:1:1	SHEET:1/1	PROJECTION	REV.:X01	DRAWING NO.:2026H108-A-S
------	----------------------	-----------	------	---------	-----------	-----------	------------	----------	--------------------------

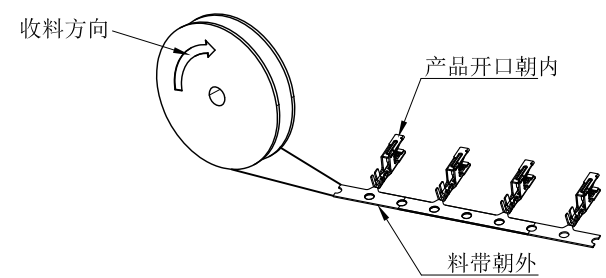
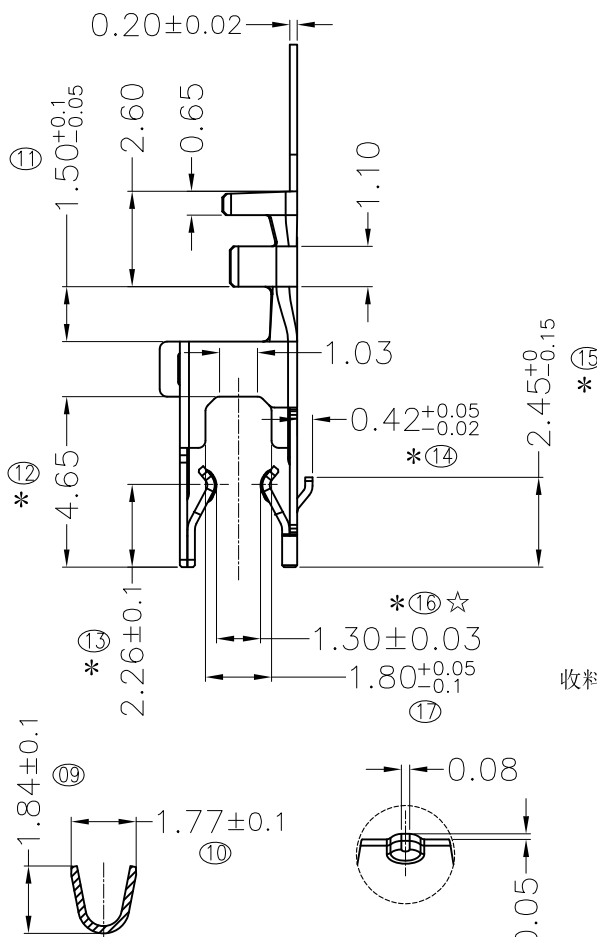
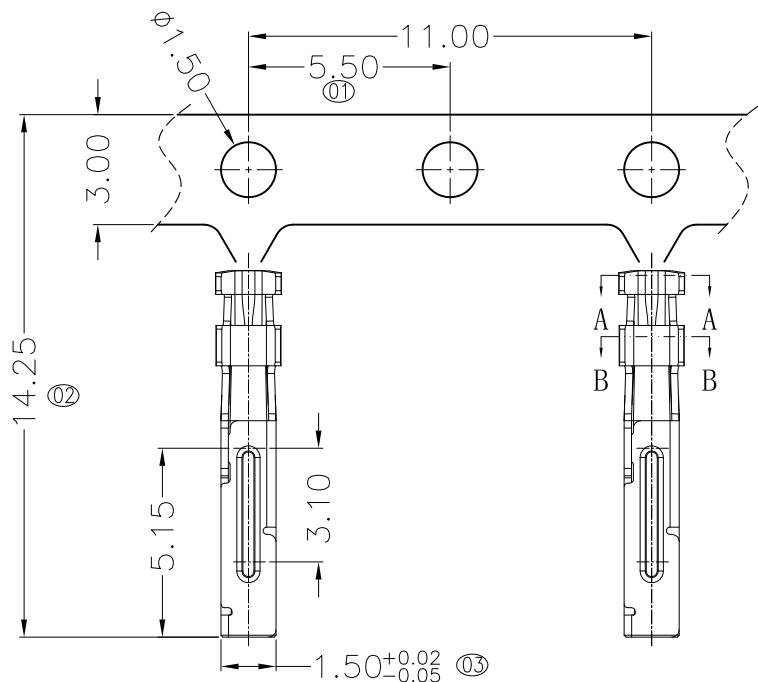
**RoHS**  
COMPLIANT

**SPECIFICATIONS**

1. Current Rating: 3A AC, DC
  2. Voltage Rating: 125V AC, DC
  3. Temperature Range: -40°C ~ +125°C
  4. Insulation Resistance: 1000MΩ/ min.
  5. Withstanding Voltage: 500V AC/ Minute.
  6. Contact Resistance: 10mΩ/ max.
  7. Those with "☆" are special feature dimensions
- Material: Phosphor Bronze/Tin plated over nickel  
 Applicable wires: Insulation O.D 0.35mm<sup>2</sup> Max.  
 Suitable KR2026 series housing  
 Qty/reel: 4000 PCS  
 Ordering Code: T20260 C \*\*\* 03 A

C:C7025

T01: Tin plated over nickel



SECTION A-A

SECTION B-B

DETAIL A  
SCALE 3:1

收料方向

F					TOLERANCE	TITLE:	DRAWN:	WP 2024.11.11		
					X.X ±0.30	2.0mm Pitch 夹板式 Gap 1.3 Terminal	CHECKED:	ZZN 2024.11.11		
		NEW DWG	WP	2024. 11. 11	X.XX ±0.20		APPROVED:	ZZN 2024.11.11		
	MARK	REVISION DESCRIPTION	SIGNATURE	DATE	X.XXX ±0.10	UNIT:mm	SCALE:1:1	SHEET:1/1	PROJECTION	REV.:X01

**KONNRA** 东莞市康瑞电子有限公司  
DongGuan Konnra Electronics Co.,Ltd.

PART NO.: T20260CT0103A