

RoHS COMPLIANT

SPECIFICATIONS

- Current Rating: 3A AC, DC
- Voltage Rating: 125V AC, DC
- Temperature Range: -40°C ~ +125°C
- Insulation Resistance: 1000MΩ/ min.
- Withstanding Voltage: 500V AC/ Minute.
- Contact Resistance: 10mΩ/ max.
- The Key Dimension is Marked as “ * ”
- “ ⊗ ” Means matting Dimensions
- Those with “ ☆ ” are special feature dimensions
- DIMENSIONS WITH MARKING “ ☆ ”, “ * ” AND “ ⊗ ” MEANS TO MEASURE, OTHERS DO NOT REQUIRE MEASURE
- 11.8P and above require separate assembly of CPA-L and CPA-R, Choose any CPA-L or CPA-R below 8P

Material: PBT UL 94V-0
 Suitable: KR2026 series Terminal
 Ordering Code: H2026V xxx 24 01 A

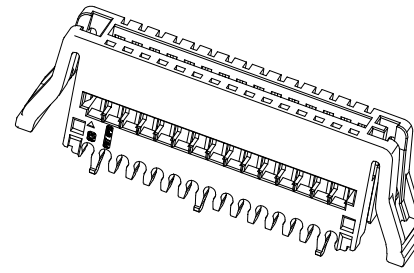
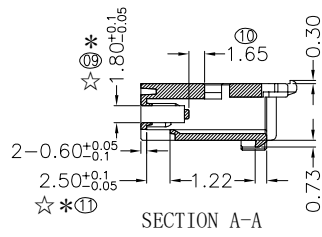
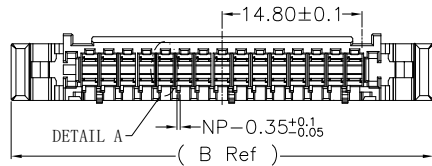
No. of Circuits	102:2, 115:15
Insulator Material	24:PBT White V0

Circuits	Dimensions		
	A	B	C
2	2.00	18.26	12.00
3	4.00	20.26	14.00
4	6.00	22.26	16.00
5	8.00	24.26	18.00
6	10.00	26.26	20.00
7	12.00	28.26	22.00
8	14.00	30.26	24.00
9	16.00	32.26	26.00
10	18.00	34.26	28.00
11	20.00	36.26	30.00
12	22.00	38.26	32.00
13	24.00	40.26	34.00
14	26.00	42.26	36.00
15	28.00	44.26	38.00

F	△X05	Add PCB PLATING INFORMATION	ZZN	2025. 5. 5	TOLERANCE X.X ±0.30 X.XX ±0.20 X.XXX ±0.10 Angle ±2°	TITLE: 2.0mm Pitch 180° 夹板式 Housing	DRAWN: ZZN 2025. 5. 5	KONNRA 东莞市康瑞电子有限公司 DongGuan Konnra Electronics Co.,Ltd.			
	△X04	Add specifications for item 11	ZZN	2025. 2. 26							CHECKED: ZZN 2025. 5. 5
	△X03	Product increases the glue reducing hole	ZZN	2024. 10. 30							APPROVED: LL 2025. 5. 5
	MARK	REVISION DESCRIPTION	SIGNATURE	DATE							REV.: X05

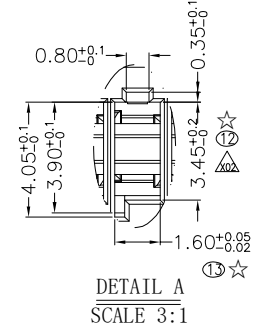
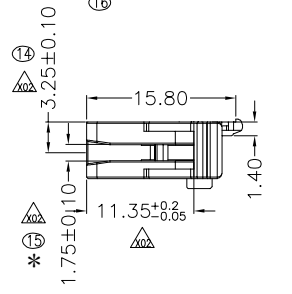
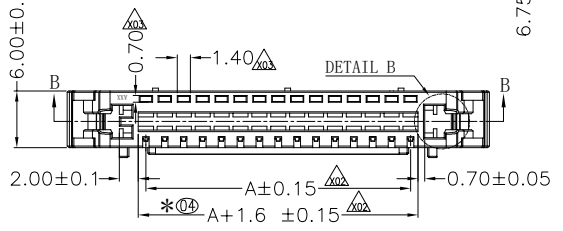
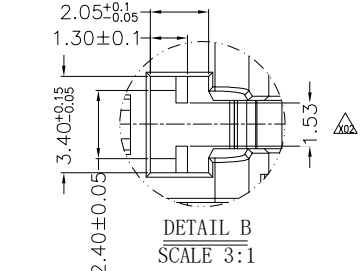
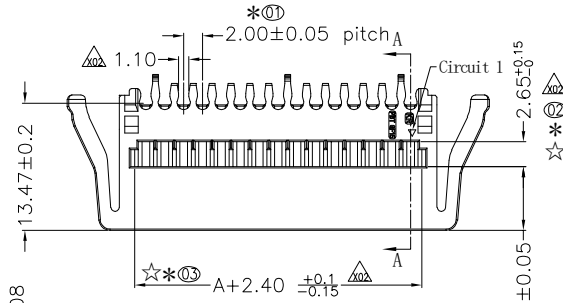
1 2 3 4 5 6 7 8 9

RoHS
COMPLIANT



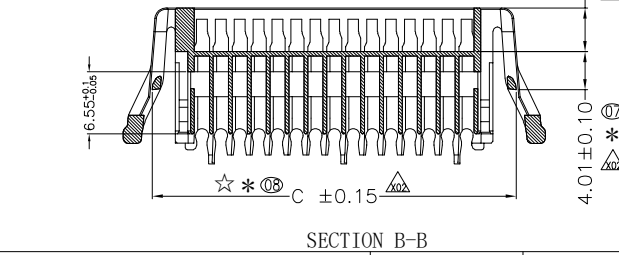
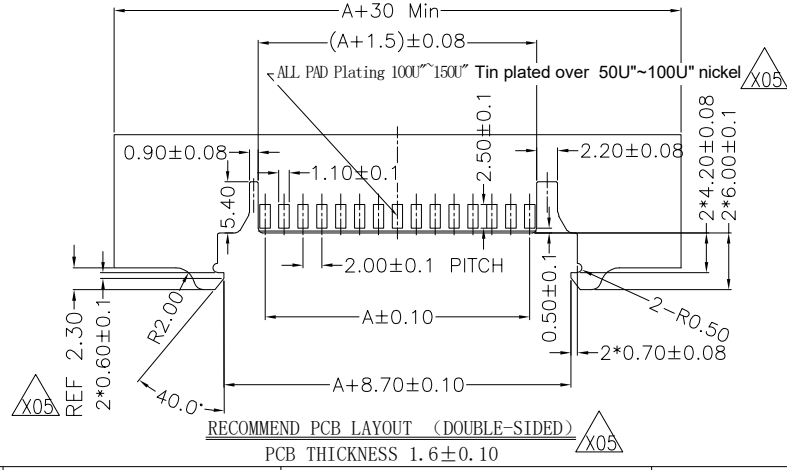
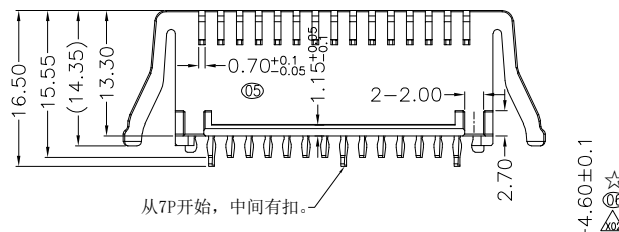
- SPECIFICATIONS**
1. Current Rating: 3A AC, DC
 2. Voltage Rating: 125V AC, DC
 3. Temperature Range: -40°C ~ +125°C
 4. Insulation Resistance: 1000MΩ/ min.
 5. Withstanding Voltage: 500V AC/ Minute.
 6. Contact Resistance: 10mΩ/ max.
 7. The Key Dimension is Marked as " * "
 8. " XX " Means matting Dimensions
 9. Those with " ☆ " are special feature dimensions
 10. DIMENSIONS WITH MARKING " ☆ ", " * " AND " XX " MEANS TO MEASURE, OTHERS DO NOT REQUIRE MEASURE

△X04
11. 8P and above require separate assembly of CPA-L and CPA-R, Choose any CPA-L or CPA-R below 8P
Material: PBT UL 94V-0
Suitable: KR2026 series Terminal
Ordering Code: H2026R xxx 24 01 A



No. of Circuits
102:2, 115:15
Insulator Material
24: PBT White V0

Circuits	Dimensions		
	A	B [△]	C [△]
2	2.00	18.26	12.00
3	4.00	20.26	14.00
4	6.00	22.26	16.00
5	8.00	24.26	18.00
6	10.00	26.26	20.00
7	12.00	28.26	22.00
8	14.00	30.26	24.00
9	16.00	32.26	26.00
10	18.00	34.26	28.00
11	20.00	36.26	30.00
12	22.00	38.26	32.00
13	24.00	40.26	34.00
14	26.00	42.26	36.00
15	28.00	44.26	38.00



MARK	REVISION	DESCRIPTION	SIGNATURE	DATE
X05	Add	PCB PLATING INFORMATION	ZZN	2025. 5. 5
X04	Add	specifications for item 11	ZZN	2025. 2. 26
X03	Product	increases the glue reducing hole	ZZN	2024. 10. 30

TOLERANCE
X.X ±0.30
X.XX ±0.20
X.XXX ±0.10
Angle ±2°

TITLE:
2.0mm Pitch 90° 夹板式 Housing

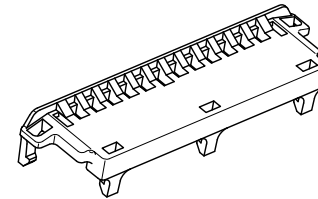
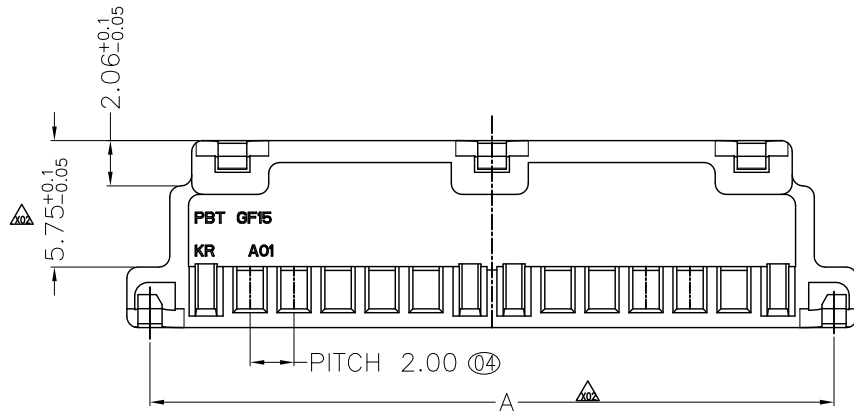
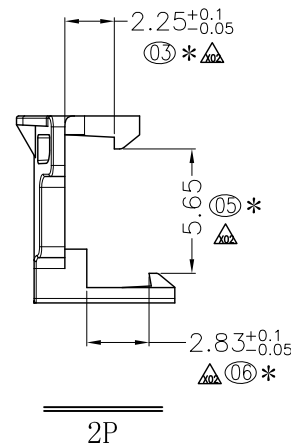
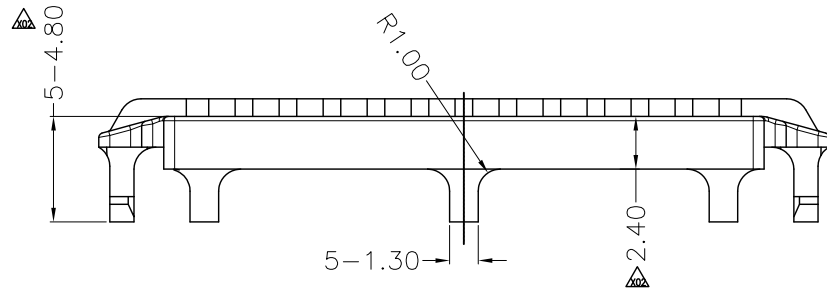
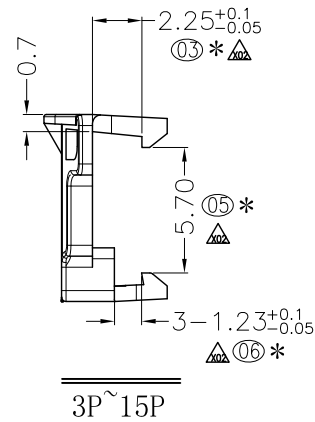
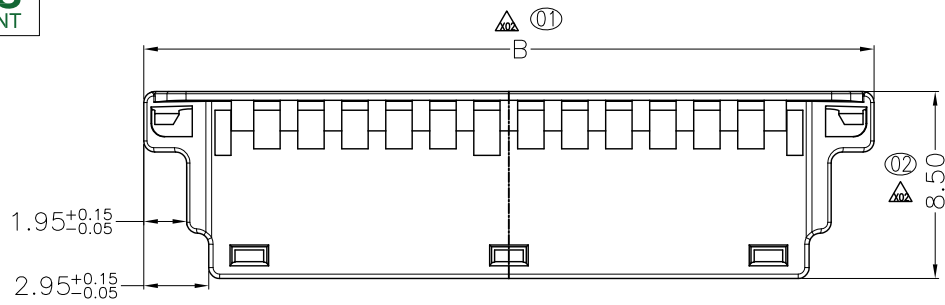
UNIT: mm SCALE: 1:1

DRAWN: ZZN 2025. 5. 5
CHECKED: ZZN 2025. 5. 5
APPROVED: LL 2025. 5. 5

SHEET: 1/1 PROJECTION

KONNRA 东莞市康瑞电子有限公司
DongGuan Konnra Electronics Co.,Ltd.
PART NO.: H2026R1XX2401A
REV.: X05 DRAWING NO.: 2026H102-A-S

RoHS
COMPLIANT



SPECIFICATIONS

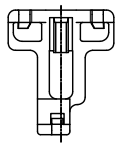
- Current Rating: 3A AC, DC
 - Voltage Rating: 125V AC, DC
 - Temperature Range: -40°C ~ +125°C
 - Insulation Resistance: 1000MΩ/ min.
 - Withstanding Voltage: 500V AC/ Minute.
 - Contact Resistance: 10mΩ/ max.
 - The Key Dimension is Marked as “*”
 - “⊗” Means matting Dimensions
 - Those with “☆” are special feature dimensions
 - DIMENSIONS WITH MARKING “☆”, “*” AND “⊗” MEANS TO MEASURE, OTHERS DO NOT REQUIRE MEASURE
- Material: PBT UL 94V-0
Suitable: KR2026 series 90° Housing
Ordering Code: H2026R 1** 05 31A

No. of Circuits
102:2, 115:15
Insulator Material
05:PBT White V0

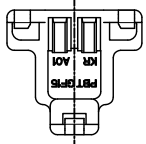
Circuits	Dimensions	
	⊗ B	⊗ A
2	7.20	5.10
3	9.20	7.10
4	11.20	9.10
5	13.20	11.10
6	15.20	13.10
7	17.20	15.10
8	19.20	17.10
9	21.20	19.10
10	23.20	21.10
11	25.20	23.10
12	27.20	25.10
13	29.20	27.10
14	31.20	29.10
15	33.20	31.10

F	△X03			TOLERANCE	TITLE:	DRAWN: ZZN 2024. 09. 06	KONNRA 东莞市康瑞电子有限公司 DongGuan Konnra Electronics Co.,Ltd.			
	△X02	Update the drawing according to the final structure	ZZN	2024. 09. 06	2.0mm Pitch 90° 夹板式Cover	CHECKED: ZZN 2024. 09. 06				
	△X01	NEW DWG	刘国红	2024. 04. 20		APPROVED: ZZN 2024. 09. 06	PART NO.: H2026R1**0531A			
	MARK	REVISION DESCRIPTION	SIGNATURE	DATE	Angle ±2°	UNIT:mm	SCALE: 1:1	SHEET: 1/2	PROJECTION	REV.: X02

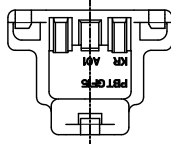
RoHS
COMPLIANT



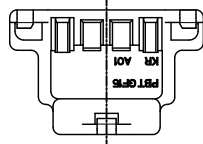
2P



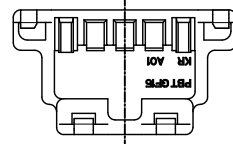
3P



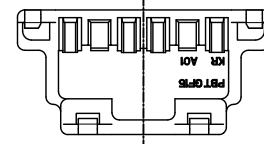
4P



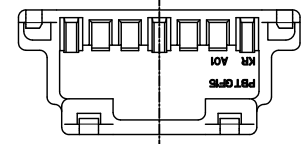
5P



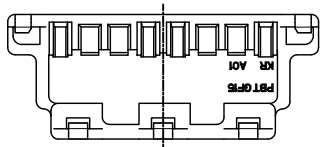
6P



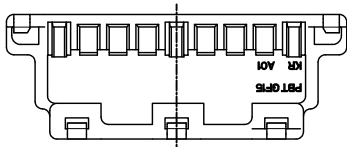
7P



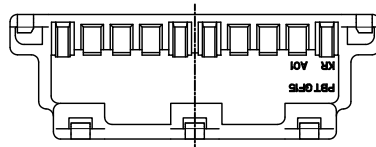
8P



9P



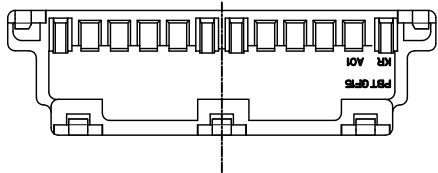
10P



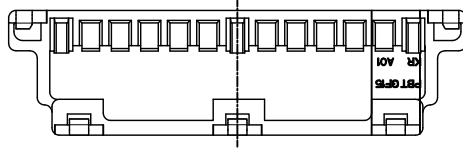
11P



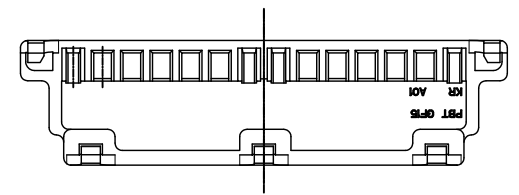
12P



13P



14P



15P



Update the drawing according to the final structure

ZZN

2024.09.06

TOLERANCE

X.X ±0.30

X.XX ±0.20

X.XXX ±0.10

Angle ±2°

TITLE:
2.0mm Pitch 90° 夹
板式 Cover

DRAWN: ZZN 2024.09.06

CHECKED: ZZN 2024.09.06

APPROVED: ZZN 2024.09.06

KONNRA 东莞市康瑞电子有限公司
DongGuan Konnra Electronics Co.,Ltd.

PART NO.: H2026R1**0531A



NEW DWG

刘国红

2024.04.20

MARK

REVISION DESCRIPTION

SIGNATURE

DATE

UNIT: mm

SCALE: 1:1

SHEET: 2/2

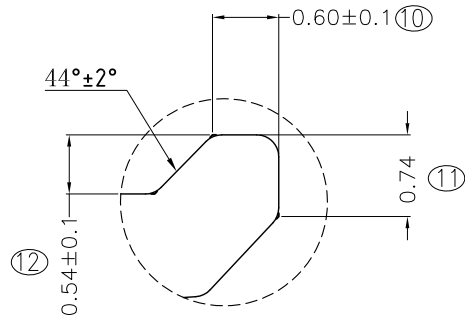
PROJECTION



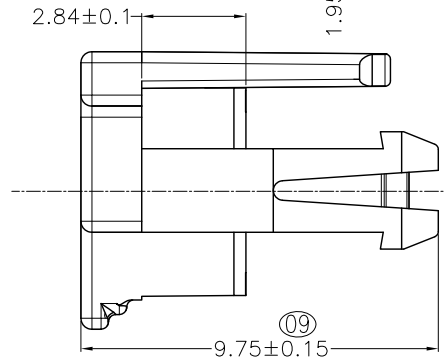
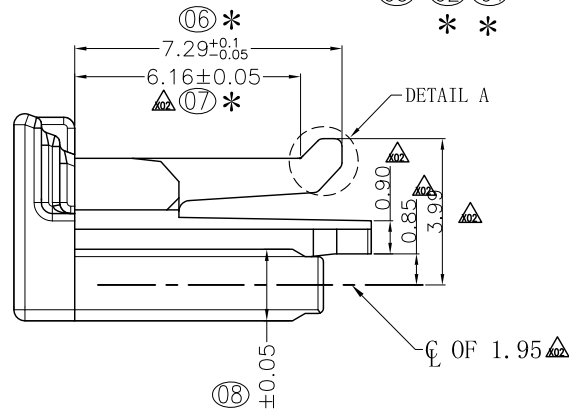
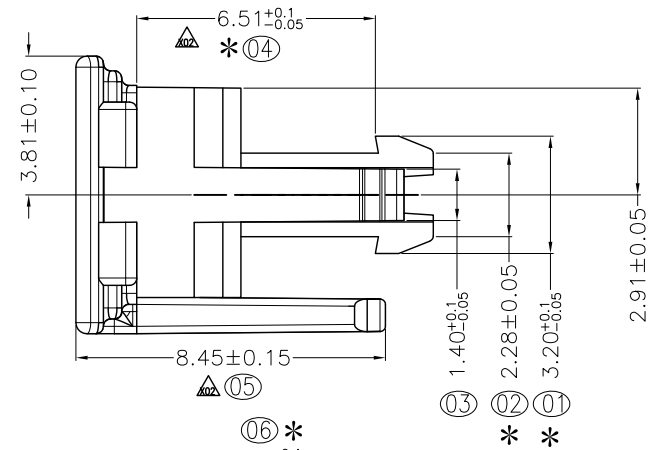
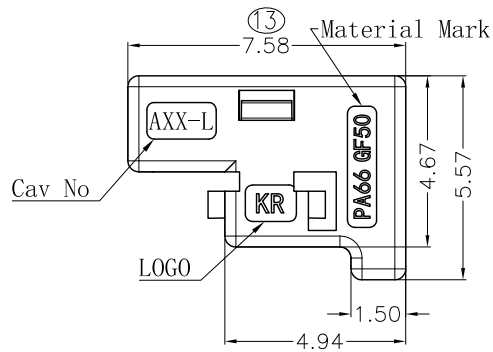
REV.: X02

DRAWING NO.: 2026H104-A-S

RoHS
COMPLIANT



DETAIL A
SCALE 3:1



SPECIFICATIONS

1. Current Rating: 3A AC, DC
2. Voltage Rating: 125V AC, DC
3. Temperature Range: -40°C ~ +125°C
4. Insulation Resistance: 1000MΩ/ min.
5. Withstanding Voltage: 500V AC/ Minute.
6. Contact Resistance: 10mΩ/ max.
7. The Key Dimension is Marked as " * "
8. " (XX) " Means matting Dimensions
9. Those with " ☆ " are special feature dimensions
10. DIMENSIONS WITH MARKING " ☆ ", " * " AND " (XX) " MEANS TO MEASURE, OTHERS DO NOT REQUIRE MEASURE

Material: PA66 UL 94V-0

Suitable: KR2026 series Housing

Ordering Code: H20260100 xx 22A

Insulator Material
30:PA66 Gray V0

X03			
X02			
X01	NEW DWG	ZZN	2024.09.04

TOLERANCE
X.X ±0.30
X.XX ±0.20
X.XXX ±0.10
Angle ±2°

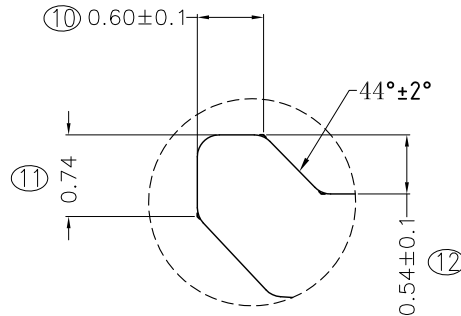
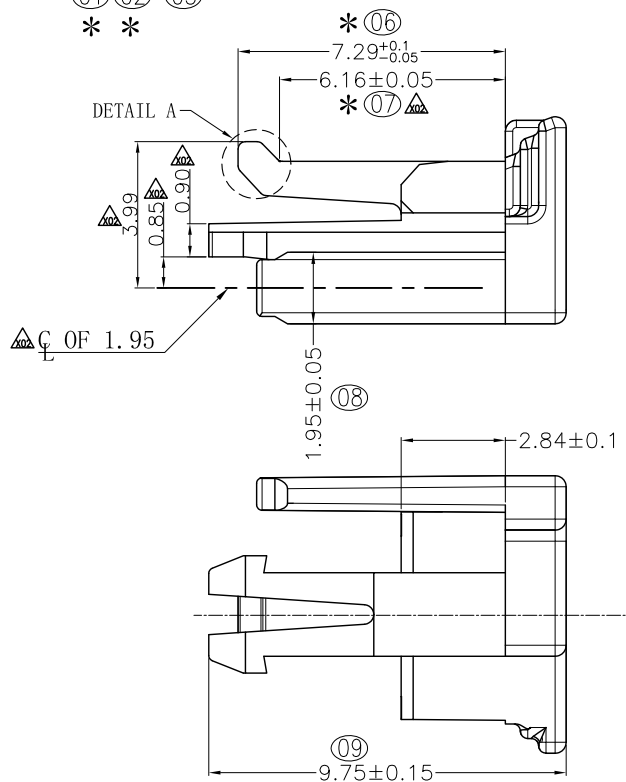
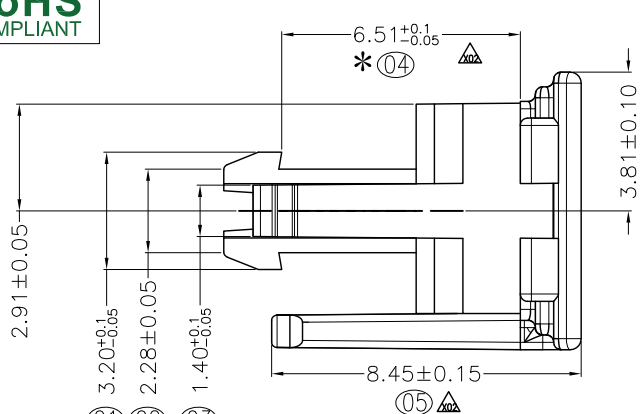
TITLE:
2.0mm Pitch 夹板式
CPA-L

DRAWN:	ZZN	2024.09.04
CHECKED:	ZZN	2024.09.04
APPROVED:	ZZN	2024.09.04

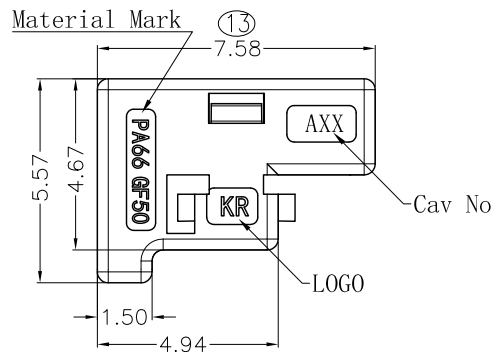
KONNRA 东莞市康瑞电子有限公司
DongGuan Konnra Electronics Co.,Ltd.
PART NO.: H202601003022A

MARK	REVISION DESCRIPTION	SIGNATURE	DATE	UNIT: mm	SCALE: 1:1	SHEET: 1/1	PROJECTION	REV.: X01	DRAWING NO.: 2026H106-A-S
------	----------------------	-----------	------	----------	------------	------------	------------	-----------	---------------------------

RoHS
COMPLIANT



DETAIL A
SCALE 3:1



SPECIFICATIONS

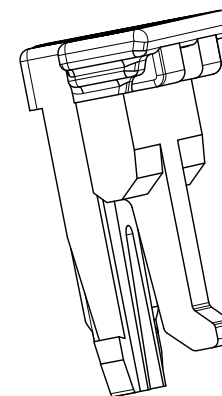
1. Current Rating: 3A AC, DC
2. Voltage Rating: 125V AC, DC
3. Temperature Range: -40°C ~ +125°C
4. Insulation Resistance: 1000MΩ/ min.
5. Withstanding Voltage: 500V AC/ Minute.
6. Contact Resistance: 10mΩ/ max.
7. The Key Dimension is Marked as “ * ”
8. “ XX ” Means matting Dimensions
9. Those with “ ☆ ” are special feature dimensions
10. DIMENSIONS WITH MARKING “ ☆ ”, “ * ” AND “ XX ” MEANS TO MEASURE, OTHERS DO NOT REQUIRE MEASURE

Material: PA66 UL 94V-0

Suitable: KR2026 series Housing

Ordering Code: H20260100 xx 21A

Insulator Material
30:PA66 Gray V0



X03			
X02	Update the drawing according to the final structure	ZZN	2024.09.06
X01	NEW DWG	刘国红	2024.04.20
MARK	REVISION DESCRIPTION	SIGNATURE	DATE

TOLERANCE
X.X ±0.30
X.XX ±0.20
X.XXX ±0.10
Angle ±2°

TITLE:
2.0mm Pitch 夹板式
CPA-R

DRAWN: ZZN 2024.09.04
CHECKED: ZZN 2024.09.04
APPROVED: ZZN 2024.09.04

KONNRA 东莞市康瑞电子有限公司
DongGuan Konnra Electronics Co.,Ltd.

PART NO.: H202601003021A

UNIT: mm SCALE: 1:1 SHEET: 1/1 PROJECTION REV.: X02 DRAWING NO.: 2026H107-A-S

RoHS
COMPLIANT

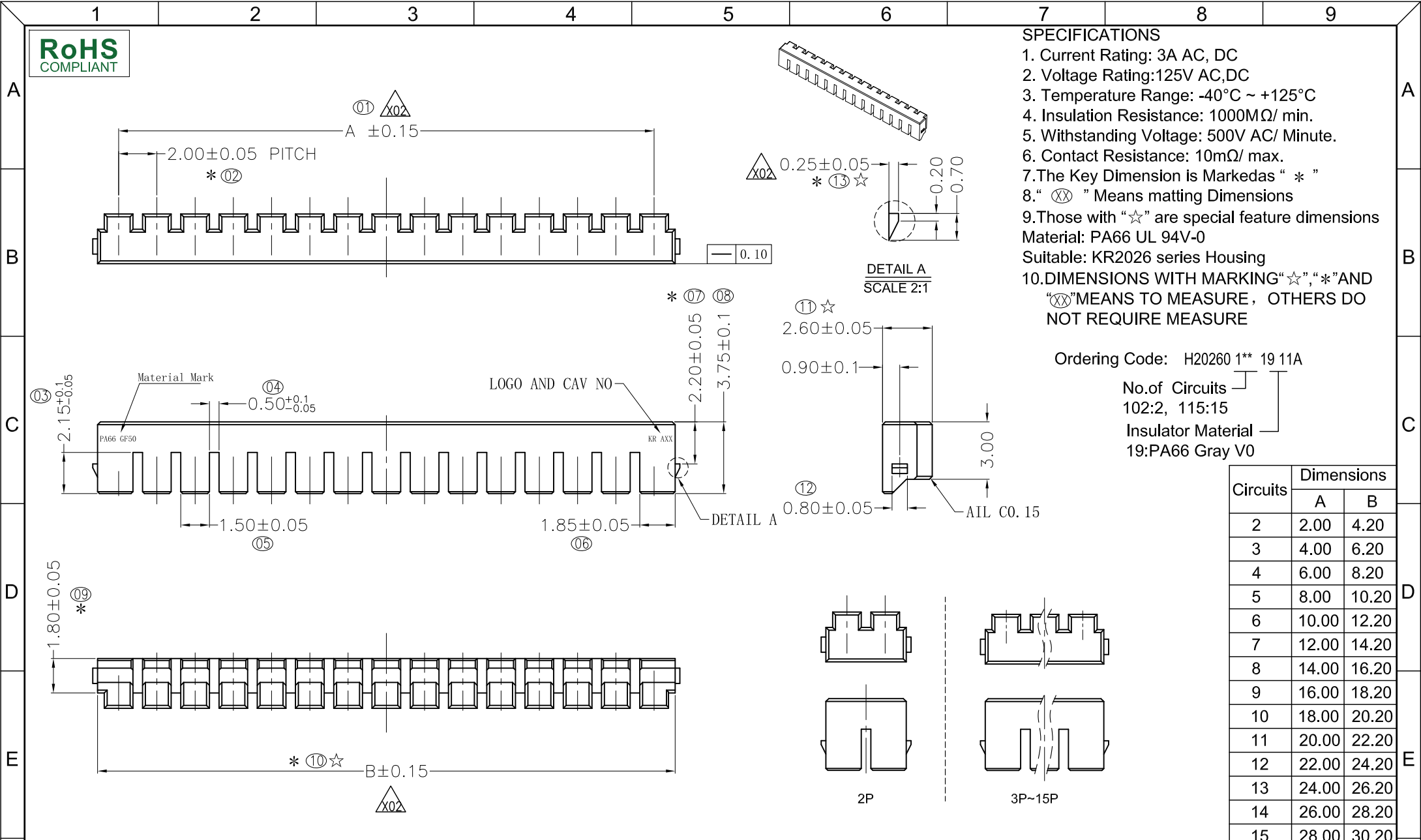
SPECIFICATIONS

1. Current Rating: 3A AC, DC
 2. Voltage Rating: 125V AC, DC
 3. Temperature Range: -40°C ~ +125°C
 4. Insulation Resistance: 1000MΩ/ min.
 5. Withstanding Voltage: 500V AC/ Minute.
 6. Contact Resistance: 10mΩ/ max.
 7. The Key Dimension is Marked as " * "
 8. " (XX) " Means matting Dimensions
 9. Those with "☆" are special feature dimensions
- Material: PA66 UL 94V-0
Suitable: KR2026 series Housing
10. DIMENSIONS WITH MARKING "☆", " * " AND " (XX) " MEANS TO MEASURE, OTHERS DO NOT REQUIRE MEASURE

Ordering Code: H20260 1** 19 11A

No. of Circuits
102:2, 115:15
Insulator Material
19:PA66 Gray V0

Circuits	Dimensions	
	A	B
2	2.00	4.20
3	4.00	6.20
4	6.00	8.20
5	8.00	10.20
6	10.00	12.20
7	12.00	14.20
8	14.00	16.20
9	16.00	18.20
10	18.00	20.20
11	20.00	22.20
12	22.00	24.20
13	24.00	26.20
14	26.00	28.20
15	28.00	30.20



MARK	REVISION DESCRIPTION	SIGNATURE	DATE	TOLERANCE	TITLE:	DRAWN:	CHECKED:	APPROVED:	REV.:	DRAWING NO.:
(X03)						ZZN	ZZN	ZZN	X02	
(X02)	Update materials	ZZN	2024.09.06	X.X ±0.30 X.XX ±0.20 X.XXX ±0.10 Angle ±2°	2.0mm Pitch 夹板式 TPA	ZZN	ZZN	ZZN	X02	
(X01)	NEW DWG	刘国红	2024.04.20			ZZN	ZZN	ZZN	X02	
					UNIT:mm	SCALE:1:1	SHEET:1/1	PROJECTION		

KONNRA 东莞市康瑞电子有限公司
DongGuan Konnra Electronics Co.,Ltd.
PART NO.: H202601**1911A

RoHS
COMPLIANT

SPECIFICATIONS

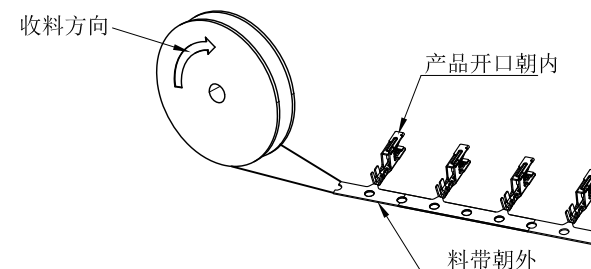
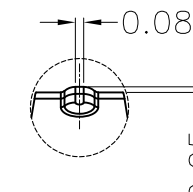
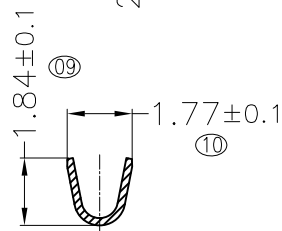
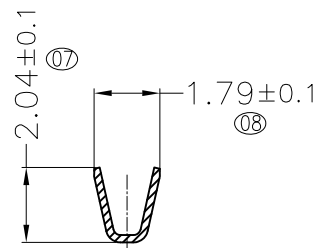
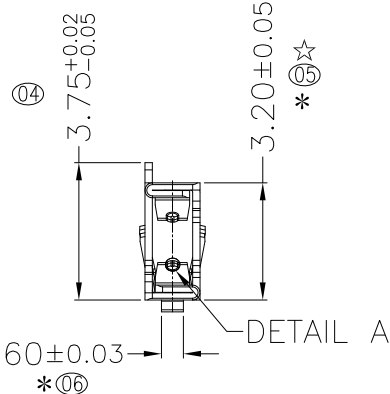
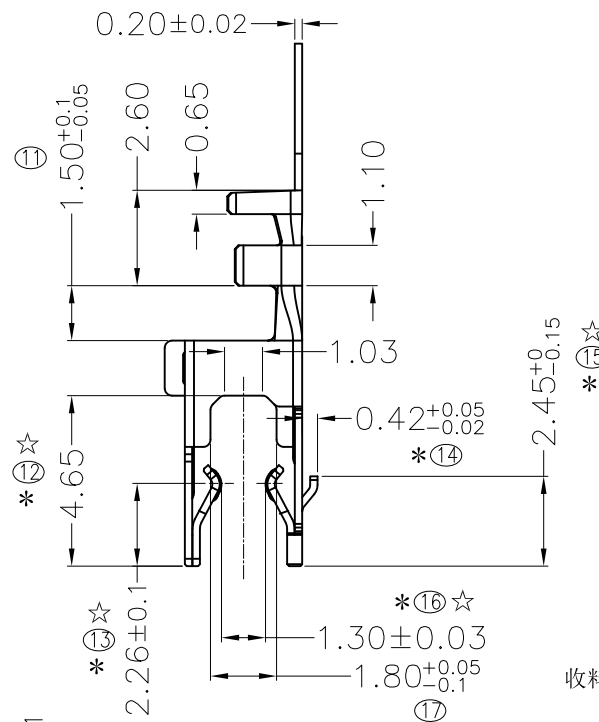
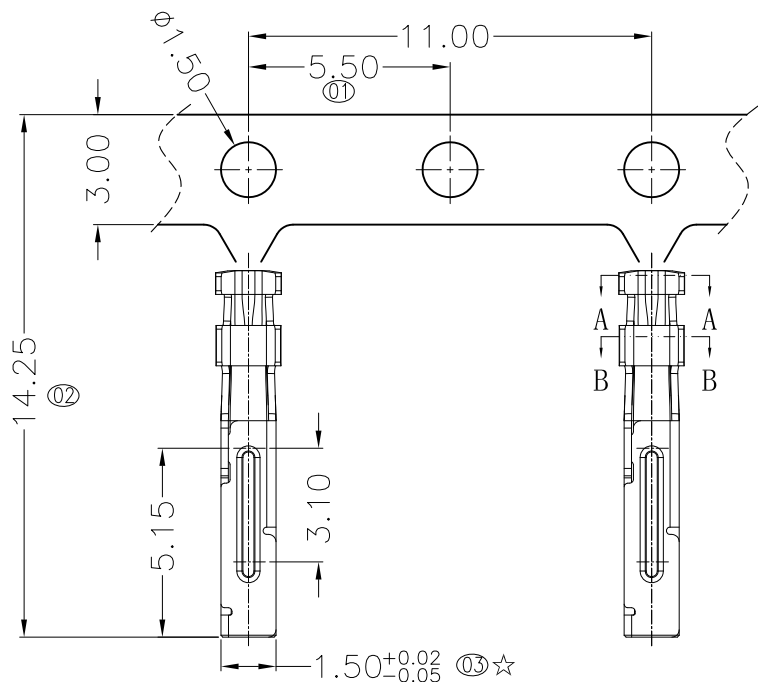
1. Current Rating: 3A AC, DC
2. Voltage Rating: 125V AC, DC
3. Temperature Range: -40°C ~ +125°C
4. Insulation Resistance: 1000MΩ/ min.
5. Withstanding Voltage: 500V AC/ Minute.
6. Contact Resistance: 10mΩ/ max.
7. The Key Dimension is Marked as " * "
8. " ⊗ " Means matting Dimensions
9. Those with " ☆ " are special feature dimensions
10. DIMENSIONS WITH MARKING " ☆ ", " * " AND " ⊗ " MEANS TO MEASURE, OTHERS DO NOT REQUIRE MEASURE

Material: Phosphor Bronze/Tin plated over nickel
 Applicable wires: Insulation O.D 0.35mm² Max.
 Suitable KR2026 series housing
 Qty/reel: 4000 PCS

Ordering Code: T20260 C *** 03 A

C: C7025

T01: Tin plated over nickel



收料方向

				TOLERANCE	TITLE:	DRAWN:	WP 2024.11.11
				X.X ±0.30	2.0mm Pitch 夹板式 Gap 1.3 Terminal	CHECKED:	ZZN 2024.11.11
	NEW DWG	WP	2024. 11. 11	X.XX ±0.20		APPROVED:	ZZN 2024.11.11
MARK	REVISION DESCRIPTION	SIGNATURE	DATE	X.XXX ±0.10		SHEET: 1/1	PROJECTION
				Angle ±2°	UNIT: mm	SCALE: 1:1	REV.: X01

DongGuan Konnra Electronics Co., Ltd.	
PART NO.: T20260CT0103A	
DRAWING NO.: 2026T103-A-S	

KONNRA 东莞市康瑞电子有限公司	
DongGuan Konnra Electronics Co., Ltd.	
PART NO.: T20260CT0103A	
DRAWING NO.: 2026T103-A-S	