

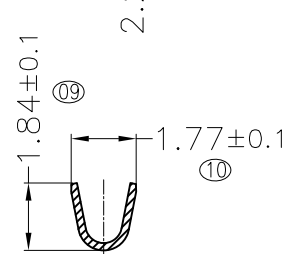
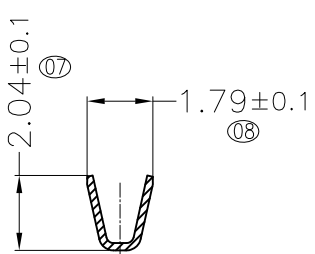
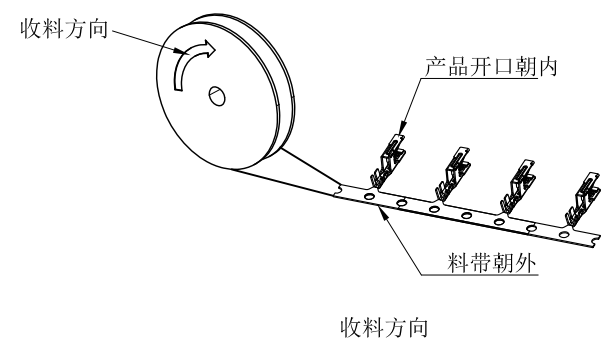
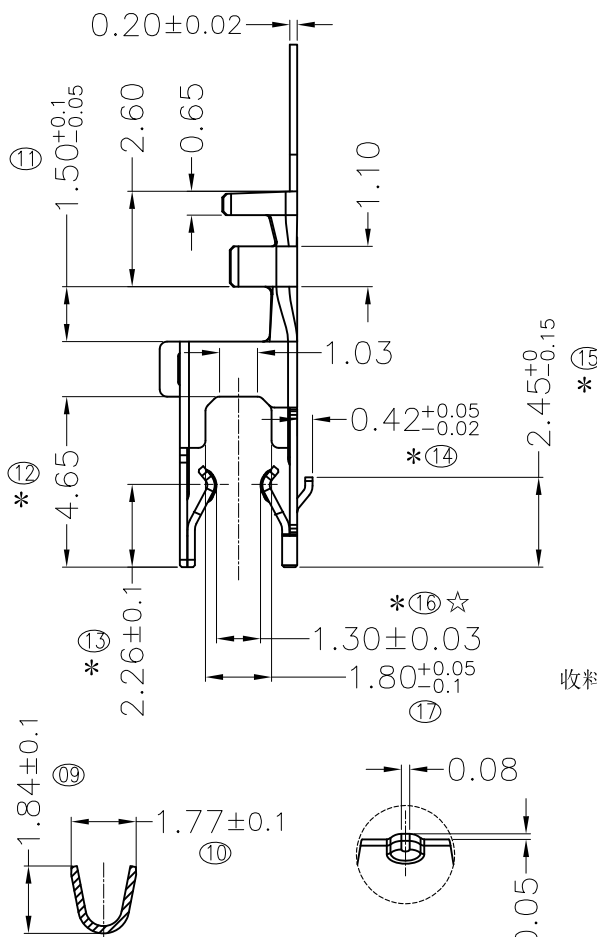
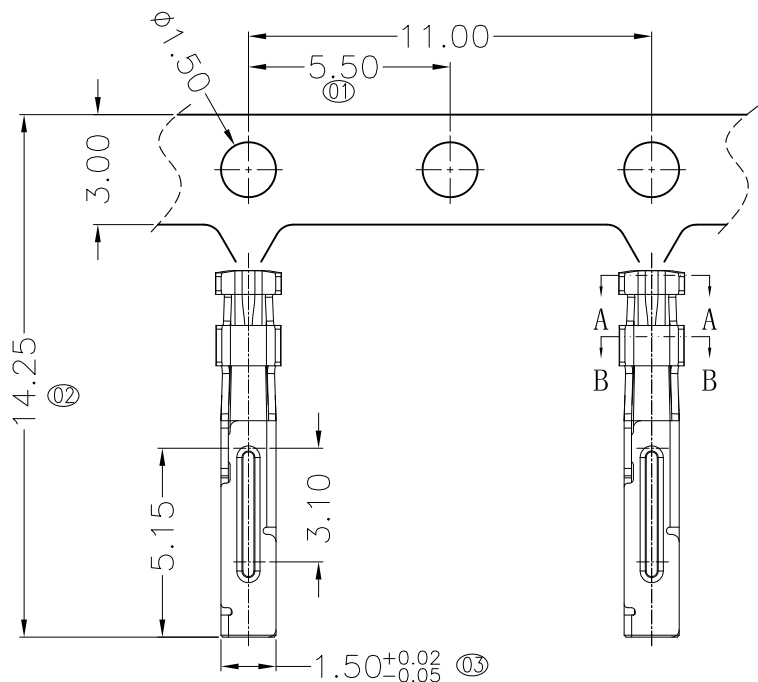
RoHS
COMPLIANT

SPECIFICATIONS

1. Current Rating: 3A AC, DC
 2. Voltage Rating: 125V AC, DC
 3. Temperature Range: -40°C ~ +125°C
 4. Insulation Resistance: 1000MΩ/ min.
 5. Withstanding Voltage: 500V AC/ Minute.
 6. Contact Resistance: 10mΩ/ max.
 7. Those with "☆" are special feature dimensions
- Material: Phosphor Bronze/Tin plated over nickel
 Applicable wires: Insulation O.D 0.35mm² Max.
 Suitable KR2026 series housing
 Qty/reel: 4000 PCS
 Ordering Code: T20260 C *** 03 A

C:C7025

T01: Tin plated over nickel



DETAIL A
SCALE 3:1

SECTION A-A

SECTION B-B

F	X03				TOLERANCE	TITLE:	DRAWN:	KONNRA 东莞市康瑞电子有限公司		
	X02				X.X ±0.30	2.0mm Pitch 夹板式 Gap 1.3 Terminal	CHECKED:	DongGuan Konnra Electronics Co.,Ltd.		
	X01	NEW DWG	WP	2024. 11. 11	X.XX ±0.20		APPROVED:	PART NO.: T20260CT0103A		
	MARK	REVISION DESCRIPTION	SIGNATURE	DATE	Angle ±2°	UNIT: mm	SCALE: 1:1	SHEET: 1/1	PROJECTION	REV.: X01