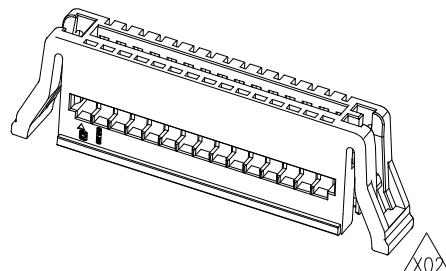
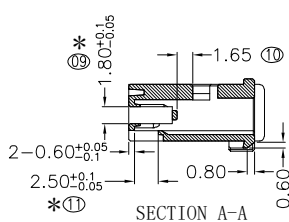
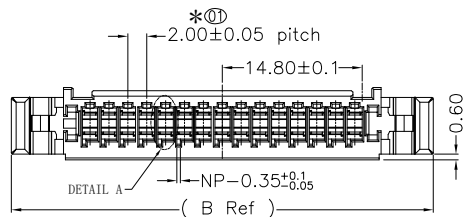


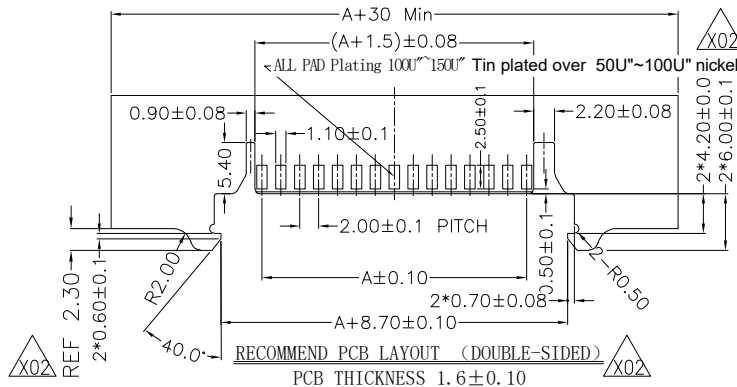
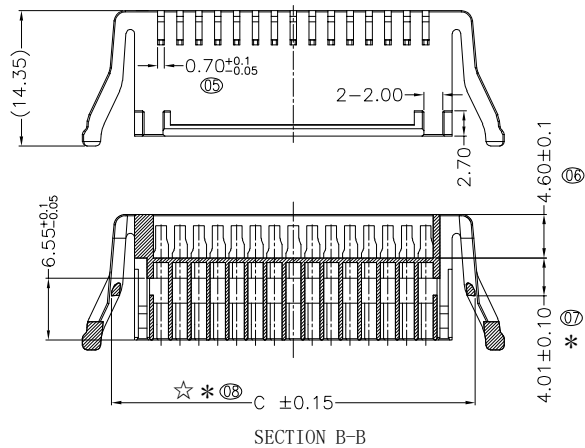
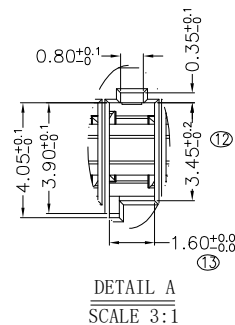
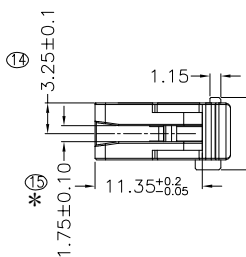
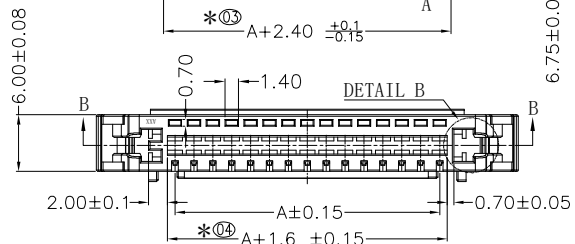
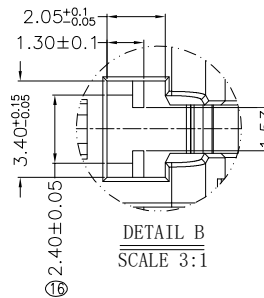
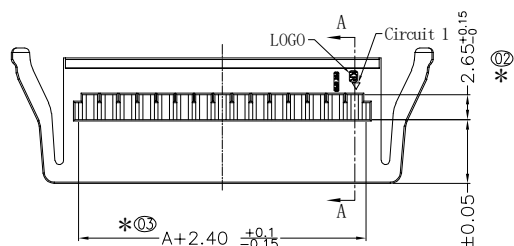
RoHS
COMPLIANT



SPECIFICATIONS
 1. Current Rating: 3A AC, DC
 2. Voltage Rating: 125V AC, DC
 3. Temperature Range: -40°C ~ +125°C
 4. Insulation Resistance: 1000MΩ/ min.
 5. Withstanding Voltage: 500V AC/ Minute.
 6. Contact Resistance: 10mΩ/ max.
 7. Those with "☆" are special feature dimensions
 8. 8P AND ABOVE REQUIRE SEPARATE ASSEMBLY OF CPA-L AND CPA-R, CHOOSE ANY CPA-L OR CPA-R BELOW 8P
 Material: PBT UL 94V-0
 Suitable: KR2026 series Terminal
 Ordering Code: H2026V xxx 24 01 A

No. of Circuits
 102:2, 115:15

Insulator Material
 24:PBT White V0



Circuits	Dimensions		
	A	B	C
2	2.00	18.26	12.00
3	4.00	20.26	14.00
4	6.00	22.26	16.00
5	8.00	24.26	18.00
6	10.00	26.26	20.00
7	12.00	28.26	22.00
8	14.00	30.26	24.00
9	16.00	32.26	26.00
10	18.00	34.26	28.00
11	20.00	36.26	30.00
12	22.00	38.26	32.00
13	24.00	40.26	34.00
14	26.00	42.26	36.00
15	28.00	44.26	38.00

MARK	REVISION DESCRIPTION	SIGNATURE	DATE
X03			
X02	ADD PCB PLATING INFORMATION	ZZN	2025. 5. 5
X01	NEW DWG	ZZN	2024. 10. 30

TOLERANCE
 X.X ±0.30
 X.XX ±0.20
 X.XXX ±0.10
 Angle ±2°

TITLE:
 2.0mm Pitch 180°
 夹板式 Housing
 UNIT: mm SCALE: 1:1

DRAWN: ZZN 2025. 5. 5
 CHECKED: ZZN 2025. 5. 5
 APPROVED: LL 2025. 5. 5
 SHEET: 1/1 PROJECTION

KONNRA 东莞市康瑞电子有限公司
 DongGuan Konnra Electronics Co.,Ltd.
 PART NO.: H2026V1XX2401A
 REV.: X02 DRAWING NO.: 2026H101-A-S